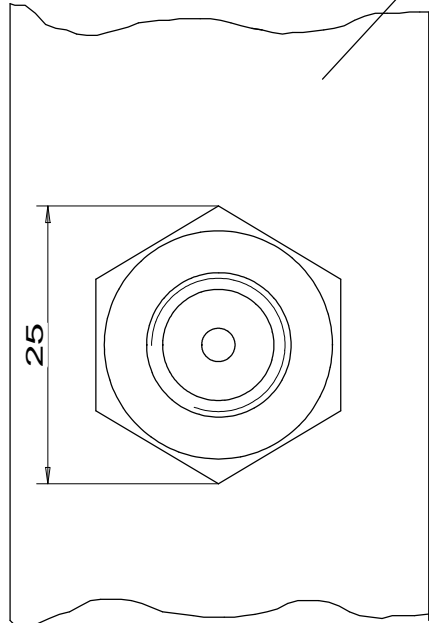


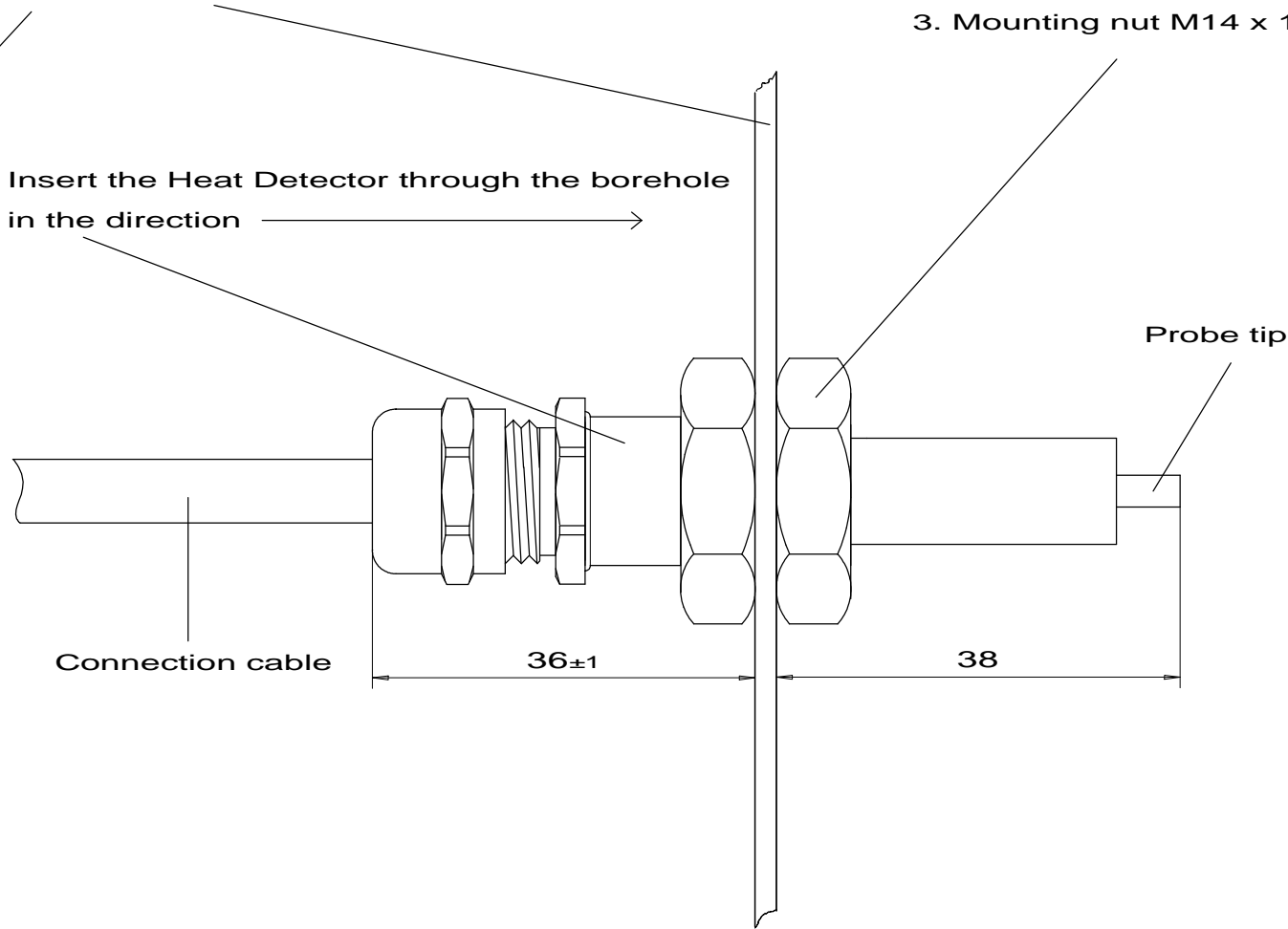
Copying of this document and giving it to others and the use or communication of the contents thereof, are forbidden without express authority. Offenders are liable to the payment of damages. All rights are reserved in the event of the grant of a patent or the registration of a utility model or design.

Weitergabe sowie Vervielfältigung dieser Unterlage, Verwertung und Mitteilung ihres Inhaltes nicht gestattet, soweit nicht ausdrücklich zugestanden. Zuwiderhandlungen verpflichten zu Schadensersatz. Alle Rechte für den Fall der Patenterteilung oder GM-Eintragung vorbehalten.

1. Mounting plate (here is an example with 2mm thickness) with a borehole with a diameter  $d = 14.5$  mm



2. Insert the Heat Detector through the borehole in the direction  $\longrightarrow$



3. Mounting nut M14 x 1.5

Probe tip

Connection cable

$36 \pm 1$

38

1. Drill a borehole with the diameter of  $d = 14.5$  mm into the mounting plate.
2. Insert the Heat Detector through the borehole.
3. Tighten it with the mounting nut.

				Date	08/14/2019	<b>flamtron</b> Feuermeldeanlagen	<b>EGON HARIG</b> APPARATEBAU 22113 Oststeinbek	Mounting instructions Heat Detector TF 180-PUR			= 2:1		
				Editor	W.Heer								+
				Check.	R.Koschel								Sheet 1
State	Modification	Date	Name	Stand.		Source./ Cr. f./ Cr. d.			TF180	(3)	3.19226.1-1	1 Sh	